

# MODEL TP-20

## SPECIFICATIONS

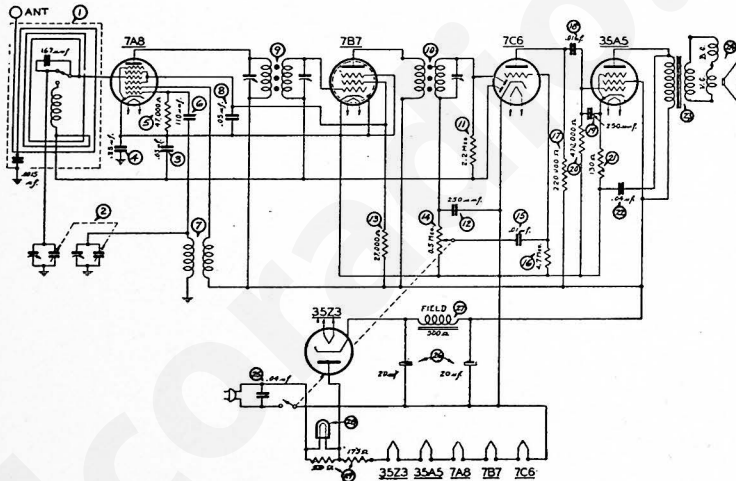
Model TP-20 is a five tube, superheterodyne radio covering a frequency range from 540 to 1580 K. C. on the broadcast band and 2.3 to 2.5 M. C. on the local police tuning range. A built-in loop aerial is provided in this model for portable use in addition to aerial connections for an external aerial. An external aerial should be used in steel reinforced buildings, apartment houses or any other location where signal strength is weak. If an outside aerial is necessary, the Philco Utility Aerial, Part No. 40-6384, is recommended.

INTERMEDIATE FREQUENCY: 455 K. C.

POWER SUPPLY: Operates on either a 115 volt, alternating current (A. C.) or 115 volt, direct current (D. C.) power supply.

PHILCO TUBES USED: One 7A8, converter; one 7B7, I. F. amplifier; one 7C6, 2nd detector, 1st audio, A. V. C.; one 35A5, audio output; one 35Z3 rectifier.

ALIGNING PROCEDURE: The aligning procedure for this model will be found on page (6).



## REPLACEMENT PARTS

SCHE. No.	DESCRIPTION	PART No.	SCHE. No.	DESCRIPTION	PART No.	SCHE. No.	DESCRIPTION	PART No.
1	Loop Antenna Assembly	38-8936	21	Resistor (130 ohms, 1/4 watt)	33-113336		Clip (Coil Mounting)	28-5002
2	Tuning Condenser	31-2413	22	Tubular Condenser (.04 mf., 400 v.)	30-41198		Cone Assembly	
3	Tubular Condenser (.05 mf., 200 v.)	30-45198	23	Output Transformer			(for Speaker 36-1469-1)	36-4115
4	Tubular Condenser (.25 mf., 400 v.)	30-46048		(for Speaker 36-1469-1)	32-8047		(for Speaker 36-1469-2)	36-4132
5	Resistor (47,000 ohms, 1/4 watt)	33-347154		(for Speaker 36-1469-2)	32-8044		(for Speaker 36-1469-9)	36-4113
6	Mica Condenser (110 mmf.)	30-1130		(for Speaker 36-1469-9)	32-8044		Dial (Drive Shaft)	31-2370
7	Oscillator Transformer	32-2182	24	Speaker	36-1469		Dial (Drive Cord)	31-2358
8	Tubular Condenser (.05 mf., 200 v.)	30-45198	25	Tubular Condenser (.04 mf., 400 v.)	30-41198		Dial Driving Arm (Pointer Dr.)	56-1376
9	1st I. F. Transformer	32-3177	26	Electrolytic Condenser (20-20 mf., 150 v.)	30-2382		Drive Drum	56-6033
10	2nd I. F. Transformer	32-3178	27	Field Coil, Part of Speaker No. 36-1469			Handle	45-6053
11	Resistor (2.2 megs., 1/4 watt)	33-522154	28	Pilot Lamp	34-2088		Knob (Volume-Tuning)	27-4815
12	Mica Condenser (250 mmf.)	61-0039	29	Line Resistor	33-3367		Rubber Tubing (Driving Arm)	27-9334
13	Resistor (27,000 ohms, 1/4 watt)	33-327134					Speaker	36-1469
14	Volume Control (500,000 ohms)	33-5306					Spring (Drive Cord)	28-8751
15	Tubular Condenser (.01 mf., 200 v.)	30-44798					Socket (Pilot Lamp)	38-9825
16	Resistor (4.7 megs., 1/4 watt)	33-547154					Sockets (Tubes)	27-6130
17	Resistor (220,000 ohms, 1/4 watt)	33-422154					Screws (Chassis Mounting)	W-2176
18	Tubular Condenser (.01 mf., 400 v.)	30-45728					Screws (Cabinet Back)	56-6056
19	Mica Condenser (250 mmf.)	61-0038					Screws (Handle Mounting)	W-2021
20	Resistor (470,000 ohms, 1/4 watt)	33-447154					Screws (Cabinet Back)	W-2029
							Washer (Fibre)	30-45